

LB8-UM06E Cabinet loudspeaker 6W metal square



The LB8-UM06E is a general purpose, cost effective 6 W cabinet loudspeaker for speech and background music reproduction.

Suitable for 100 V connection with power tapping for adjusting the sound level to meet the needs of the respective area.

The robust, yet aesthetically designed metal enclosure offers protection in areas where vandalism is a potential hazard.

Functions

Voice Alarm applications

Voice alarm loudspeakers are specifically designed for use in buildings where system performance for verbal evacuation announcements is governed by regulations. The LB8-UM06E Loudspeaker is designed for use in voice alarm systems and is EN 54-24 certified and compliant with British standard BS 5839-8.

Protection

The loudspeakers have built-in protection to ensure that fire damage to the loudspeakers does not cause failure of the connected circuit. In this way system integrity is maintained, ensuring loudspeakers in other areas can still be used to inform people of the situation.

Connections

The loudspeakers have a ceramic screw-terminal connection block, thermal fuse and heat-resistant, high-temperature wiring.

- ▶ Suitable for speech and music reproduction
- ▶ Robust metal enclosure
- ▶ EN 54-24 certified
- ▶ BS 5839-8 compliant

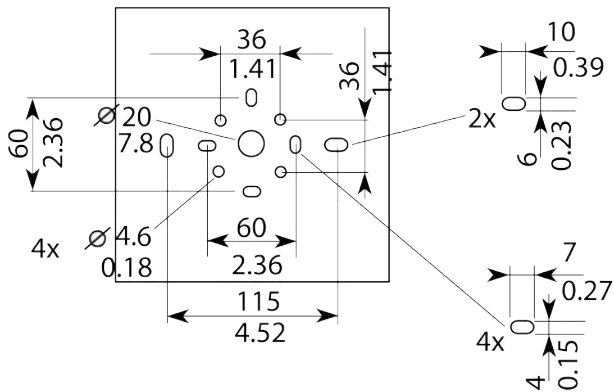
Certifications and approvals

All Bosch loudspeakers are designed to withstand operating at their rated power for 100 continuous hours in accordance with IEC 268-5 Power Handling Capacity (PHC) standards. Bosch has also developed the Simulated Acoustical Feedback Exposure (SAFE) test to demonstrate that they can withstand two times their rated power for short durations. This ensures improved reliability under extreme conditions, leading to higher customer satisfaction, longer operating life, and lessens the chance of failure or performance deterioration.

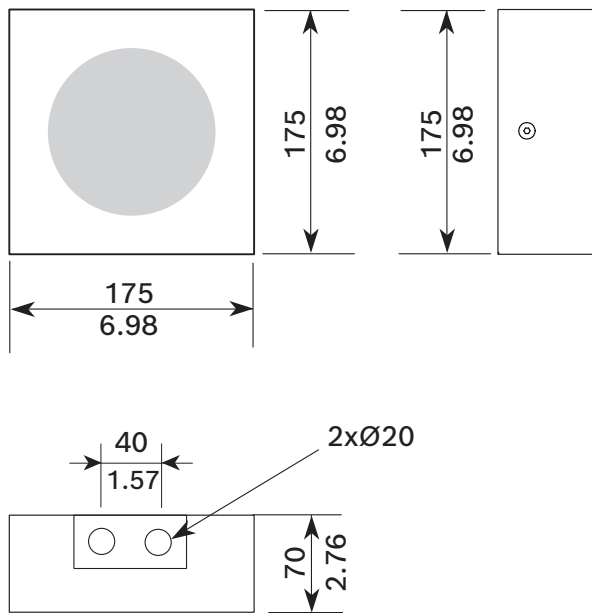
Safety	According to IEC/EN 62368-1
Emergency	According to EN 54-24 According to BS 5839-8
Water and dust protection	According to IEC/EN 60529, IP21C

Region	Regulatory compliance/quality marks
Europe	DoP CE
Poland	CNBOP

Installation/configuration notes



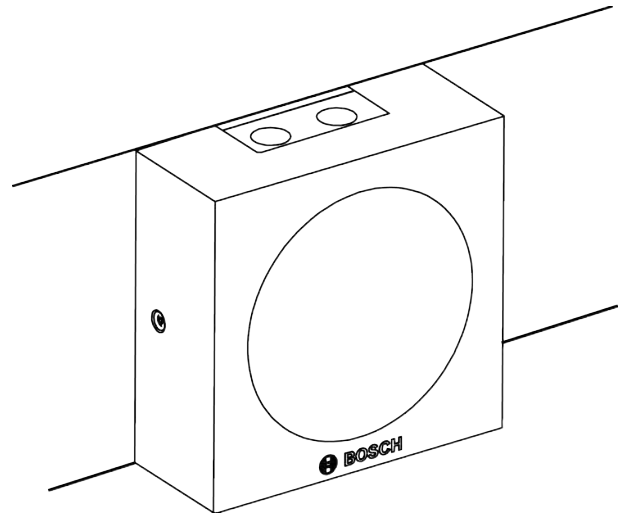
Mounting dimensions in mm (in)



Dimensions in mm (in)

Mounting

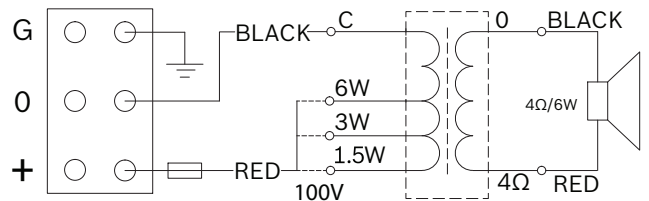
The cabinet is designed for surface mounting. The back-box of the cabinet provides a selection of mounting holes, even for mounting onto U40/50 and MK installation boxes. The back-box has two knockout holes on the topside for two cable glands for loop-through connection.



Surface mounting

Terminal block

The cabinet has a three-way ceramic terminal block with screw connection and thermal fuse suitable for loop-through wiring (including earth). Three primary taps are provided on the matching transformer to allow selection of nominal full-power, half-power or quarter-power radiation (in 3 dB steps).



Circuit diagram

Parts included

Quantity	Component
1	LB8-UM06E Cabinet loudspeaker metal square
1	Quick installation guide

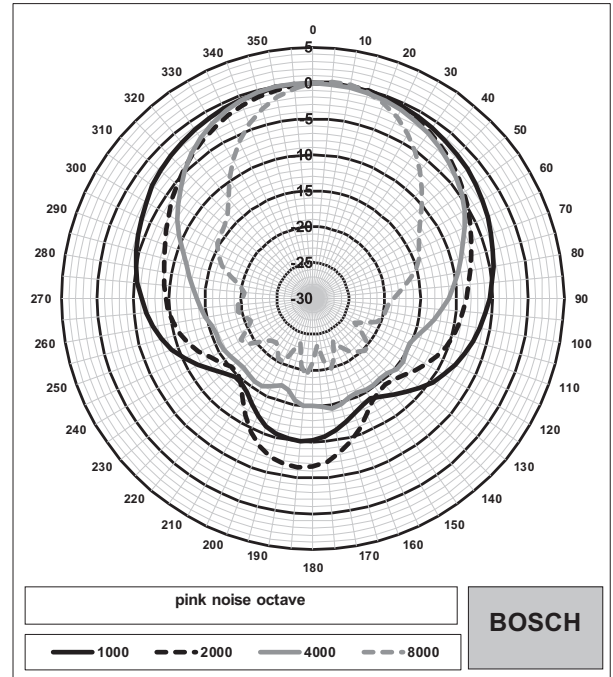
Technical specifications

Electrical*

Rated power (W)	6 W
Transformer taps 100 V line (W)	6 W; 3 W; 1.5 W
Sensitivity (1 W, 1 m, 1 kHz octave) (dB)	93 dB

Sensitivity (1 W, 4 m, 100 Hz - 10 kHz) (dB)	79 dB
Sound pressure level (rated power, 1 m, 1 kHz octave) (dB)	101 dB
Sound pressure level (rated power, 4 m, 100 Hz - 10 kHz) (dB)	87 dB
Frequency range (-10 dB)	210 Hz - 18000 Hz
Coverage angle HxV (-6 dB, 1 kHz) (°)	185° x 185°
Coverage angle HxV (-6 dB, 4 kHz) (°)	110° x 110°
Rated input voltage (V)	100 V
Rated impedance 100 V line (Ω)	1667 Ω
Connector type	3-pin ceramic

* Technical performance data acc. to IEC 60268-5



Polar diagram (high frequency part)

Mechanical

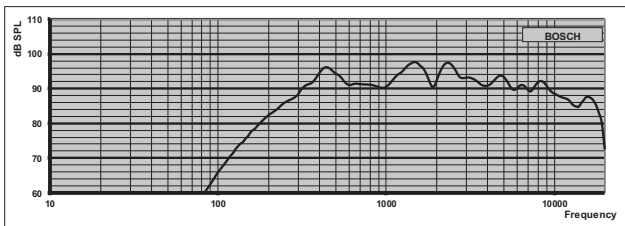
Dimension (H x W x D) (mm)	175 mm x 175 mm x 70 mm
Dimension (H x W x D) (in)	6.98 in. x 6.98 in. x 2.76 in.
Weight (kg)	1.64 kg
Weight (lb)	3.61 lb
Color in RAL	RAL 9003 white
Speaker size (mm)	104,6 mm
Speaker size (in)	4 in.
Magnet weight (g)	170 g
Magnet weight (oz)	6 oz

Environmental

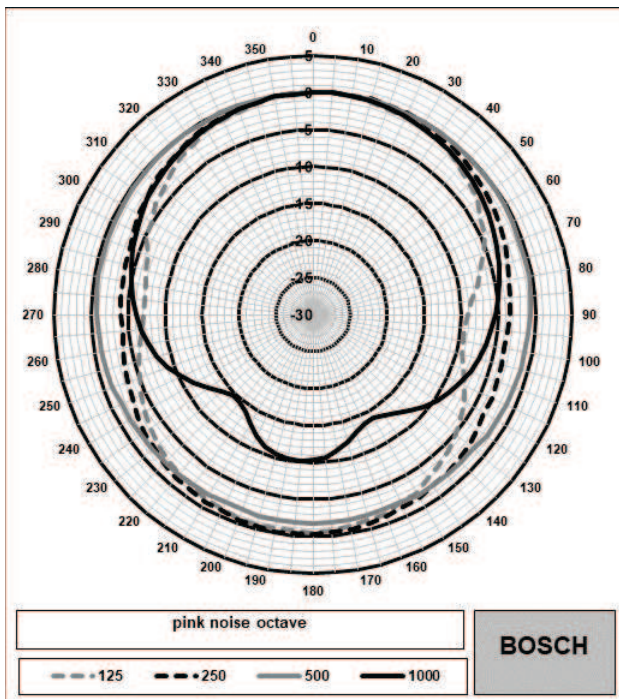
Operating temperature (°C)	-10 °C - 55 °C
Operating temperature (°F)	14 °F - 131 °F
Storage temperature (°C)	-40 °C - 70 °C
Storage temperature (°F)	-40 °F - 158 °F
Operating relative humidity, non-condensing (%)	0% - 95%

Note:

- The specification data is measured in an anechoic chamber, free field




Frequency response



Polar diagram (low frequency part)

- The reference axis is perpendicular to the center point of the front grille
- The reference plane is perpendicular to the center of the reference axis
- The horizontal plane is perpendicular to the center of the reference plane

 1438
Bosch Security Systems BV Torenallee 49, 5617 BA Eindhoven, the Netherlands 20 1438-CPR-0729
EN 54-24:2008 Loudspeaker for voice alarm systems for fire detection and fire alarm systems for buildings Cabinet loudspeaker 6W metal square LB8-UM06E Type A DoP: LP032935v1

Ordering information

LB8-UM06E Cabinet loudspeaker 6W metal square

EN 54-24 certified, RAL 9003 white.

Can only be ordered in multiples of six packed in one box.

Order number **LB8-UM06E | F.01U.377.176**

Represented by:

Europe, Middle East, Africa:
 Bosch Security Systems B.V.
 P.O. Box 80002
 5600 JB Eindhoven, The Netherlands
 Phone: + 31 40 2577 284
 emea.securitysystems@bosch.com
 emea.boschsecurity.com

Germany:
 Bosch Sicherheitssysteme GmbH
 Robert-Bosch-Ring 5
 85630 Grasbrunn
 Germany
 www.boschsecurity.com

North America:
 Bosch Security Systems, LLC
 130 Perinton Parkway
 Fairport, New York, 14450, USA
 Phone: +1 800 289 0096
 Fax: +1 585 223 9180
 onlinehelp@us.bosch.com
 www.boschsecurity.us

Asia-Pacific:
 Robert Bosch (SEA) Pte Ltd, Security Systems
 11 Bishan Street 21
 Singapore 573943
 Phone: +65 6571 2808
 Fax: +65 6571 2699
 apr.securitysystems@bosch.com
 www.boschsecurity.asia