

FMC-120-DKM Manual Call Points

www.boschsecurity.com



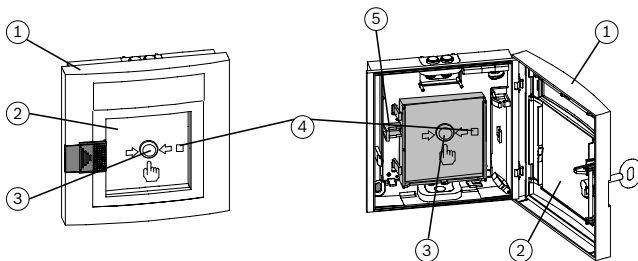
BOSCH
Invented for life



- ▶ Adjustment of the manual call point after alarm triggering
- ▶ Indicator LED for alarm or for inspection evaluation
- ▶ Second contact with connections for panel control
- ▶ Variants for indoor and outdoor use

The FMC-120-DKM Manual Call Points handle manual alarm triggering and are used with conventional technology.

Functions



In the event of an alarm, the glass pane (2) is broken first, then the manual call point (3) is pressed hard. This activates the micro switch for alarm triggering and the indicator LED (4) blinks.

A locking mechanism holds the pressed manual call point.

The manual call point can be reset with the reset lever (5). The indicator LED (4) goes out.

This does not reset the alarm on the fire panel.

Variants

The design of the manual call points for indoor (form G) and outdoor use (form H) are identical. Three color variants, red, blue, and yellow are available. Detectors for outdoor use (form H) have a cover equipped with a seal.

Certifications and approvals

Type Number	Complies with
FMC-120-DKM-G-R	EN54-11:2001/A1:2005
FMC-120-DKM-H-R	EN54-11:2001/A1:2005
FMC-120-DKM-G-Y	EN12094-3:2003
FMC-120-EST-G-B	EN12094-3:2003

Region	Regulatory compliance/quality marks	
Europe	Ex	01 ATEX 2163 X OTC/OC 310/410, OT/O/T 300/400, DKM/SKM 120, DM/SM 210, MPA_01 ATEX 2163 X
	Ex	01 ATEX 2163 X FMC-120-DKM
Germany	VdS	G 298061 FMC-120-DKM-G-R/-H-R_G298061

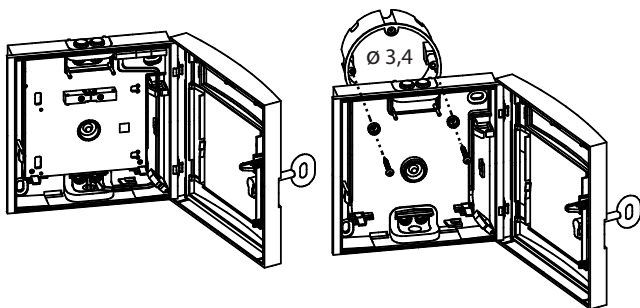
Region	Regulatory compliance/quality marks	
	VdS	G 206079 FMC-120-DKM-G-Y_G206079
	VdS	G 206080 FMC-120-EST-G-B/-H-HE_G206080
Europe	CE	FMC-120-EST-G-B/-DKM-G-Y
	CE	FMC-120-DKM-G-R/-H-R
	CE	FMC-120-DKM-G-B/-H-B
	CPD	0786-CPD-20294 FMC-120-DKM-G/H-R
	CPD	0786-CPD-20231 FMC-120-DKM-G-Y
	CPD	0786-CPD-20232 FMC-120-EST-G-B/-H-HE

Installation/configuration notes

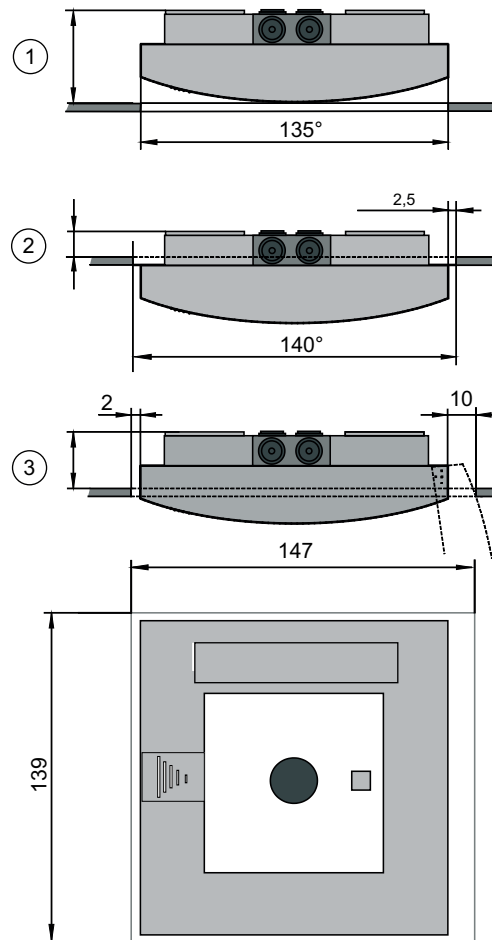
- Manual call points have to be mounted visibly along escape and rescue routes (e.g. exits, passageways, stairwells) and be easily accessible.
- An installation height of 1400 mm ±200 mm, measured from the middle of the manual call point to the floor, must be maintained.
- Manual call points must be illuminated sufficiently with daylight or another light source (including emergency lighting, if present).
- Max. one test detector may be used for primary lines together with automatic detectors. The test detector is connected at the end of the primary line.
- Further standards, guidelines and planning recommendations regarding the installation location etc., should also be taken into consideration (see Fire Detection manual).
- Regulations of local fire departments must be observed.

Installation

- Cables can be inserted surface-mounted or flush-mounted.



- Installation in fire hose cabinets is possible in three ways:



Pos.	Description
1	Installation depth version 1: 36 mm
2	Installation depth version 2: 14 mm
3	Installation depth version 3: approx. 30 mm

Technical specifications

Electrical

Operating voltage	24 V DC (16.2 V DC . . . 30 V DC)
Current consumption	Specified by the respective security system

Mechanics

Dimensions (W x H x D)	135 x 135 x 37 mm / 5.31 x 5.31 x 1.4 in.
Housing material	Plastic (ASA)

Colors	Red, RAL 3001 Blue, RAL 5005 Yellow, RAL 1003
Weight	Approx. 224 g

Environmental conditions

Protection class as per EN 60529	
Form G (indoor area)	IP 52
Form H (outdoor area)	IP 54
Norm	
FMC-120-DKM-G-R, FMC-120-DKM-H-R	EN 54-11
FMC-120-DKM-G-Y, FMC-120-EST-G-B	EN 12094-3
Permissible operating temperature	
Form G (indoor area)	-10 °C . . . +55 °C / 14 °F ... 131 °F
Form H (outdoor area)	-25 °C . . . +70 °C / -13 °F ... 158 °F

Ordering information

FMC-120-DKM-G-B Manual call point indoor, blue
Manual Call Point for indoor use, indirect triggering (type B), conventional technology
Order number **FMC-120-DKM-G-B**

FMC-120-DKM-G-R Manual call point indoor, red
Manual Call Point for indoor use, indirect alarm triggering (type B), conventional technology
Order number **FMC-120-DKM-G-R**

FMC-120-DKM-G-Y Manual call point indoor, yellow
Manual Call Point for indoor use, indirect triggering (type B), conventional technology
Order number **FMC-120-DKM-G-Y**

FMC-120-DKM-H-B Manual call point outdoor, blue
Manual Call Point for outdoor use, indirect triggering (type B), conventional technology
Order number **FMC-120-DKM-H-B**

FMC-120-DKM-H-R Manual call point outdoor, red
Manual Call Point for outdoor use, indirect alarm triggering (type B), conventional technology
Order number **FMC-120-DKM-H-R**

FMC-120-EST-G-B Manual stop device, indoor, blue
Electronic Stop Device for indoor use, indirect triggering (type B), conventional technology
Order number **FMC-120-EST-G-B**

Accessories

FMC-FST-DE Foil set, transparent
For yellow and blue manual call points of the series FMC-120 and FMC-210, 1 unit = 5 sheets
Order number **FMC-FST-DE**

FMC-SPGL-DEIL Spare glass
For manual call points of series DM, DKM, SKM, FMC-120 and FMC-210, 1 unit = 5 spare glasses
Order number **FMC-SPGL-DEIL**

FMM-KEY-FORM G/H Key for manual call point
made of red plastic (ASA)
Order number **FMM-KEY-FORM G/H**

Represented by:

Europe, Middle East, Africa:
Bosch Security Systems B.V.
P.O. Box 80002
5600 JB Eindhoven, The Netherlands
Phone: + 31 40 2577 284
emea.securitysystems@bosch.com
emea.boschsecurity.com

Germany:
Bosch Sicherheitssysteme GmbH
Robert-Bosch-Ring 5
85630 Grasbrunn
Germany
www.boschsecurity.com

North America:
Bosch Security Systems, Inc.
130 Perinton Parkway
Fairport, New York, 14450, USA
Phone: +1 800 289 0096
Fax: +1 585 223 9180
onlinehelp@us.bosch.com
www.boschsecurity.us

Asia-Pacific:
Robert Bosch (SEA) Pte Ltd, Security Systems
11 Bishan Street 21
Singapore 573943
Phone: +65 6571 2808
Fax: +65 6571 2699
apr.securitysystems@bosch.com
www.boschsecurity.asia