

## DS-D5032F3-1P0S 32 inch FHD Monitor



- 178° ultra-wide view screen.
- 3D noise reduction.
- Low blue light design for eye care.
- Dual interface of HDMI and VGA.
- Support VESA wall mount.

## ▪ Specification

	Model	DS-D5032F3-1POS
<b>Display</b>	Screen Size	32 inch
	Active Display Area	698.4 (H) mm × 392.85 (V) mm
	Resolution	1920 × 1080
	Backlight	D-LED
	Pixel Pitch	0.12125 (H) mm × 0.36375 (V) mm
	Brightness	300 cd/m <sup>2</sup>
	Viewing Angle	178° (H)/178° (V)
	Color Depth	8 bit
	Contrast Ratio	4000:1
	Response Time	8 ms
	Refresh Rate	Typ. 60 Hz, Max. 75 Hz
	Haze	Haze 2%
	Reliability	7 × 12 H
	Color Gamut	72% NTSC
<b>Interface</b>	Video & Audio Input	VGA × 1, HDMI 1.4 × 1, Audio Output × 1
	Video & Audio Output	Speaker(8 Ω 10 W) × 2
<b>Power</b>	Power Supply	100 to 240 VAC, 50/60 Hz
	Power Consumption	≤ 48 W
	Standby Consumption	≤ 0.5 W
<b>Working Environment</b>	Working Temperature	0 °C to 40 °C (32 °F to 104 °F)
	Working Humidity	20% RH to 90% RH (Non-Condensing)
	Storage Temperature	-20 °C to 60 °C (-4 °F to 140 °F)
	Storage Humidity	10% RH to 90% RH (Non-Condensing)
<b>General</b>	Casing Material	Plastic
	VESA	100 mm × 100 mm (4 - M6 × 10 mm)
	Bezel Width	16.7 mm (top/left/right), 20.5 mm (bottom)
	Product Dimensions (W × H × D)	With base: 735.08 (W) mm × 489.16 (H) mm × 207.95 (D) mm (28.94" × 19.26" × 8.19") Without base: 735.08 (W) mm × 433.46 (H) mm × 80.19 (D) mm (28.94" × 17.07" × 3.16")
	Package Dimensions (W × H × D)	808 (W) mm × 510 (H) mm × 140 (D) mm (31.81" × 20.08" × 5.51")
	Net Weight	4.55 ± 0.5 kg (10.03 ± 1.10 lb.)
	Gross Weight	6.1 kg ± 0.5 kg (13.45 ± 1.10 lb.)
	Packing List	Monitor × 1, Base component × 1, HDMI cable (1.5 m) × 1, User manual × 1, Multilingual manual × 1, remote control × 1, Base screw × 6, Wall-mount screw × 4
	Remarks	The base is included by default. The product appearance and parameters in this specification may vary from your actual device. Please consult our local sales staff for further information

## Physical Interface

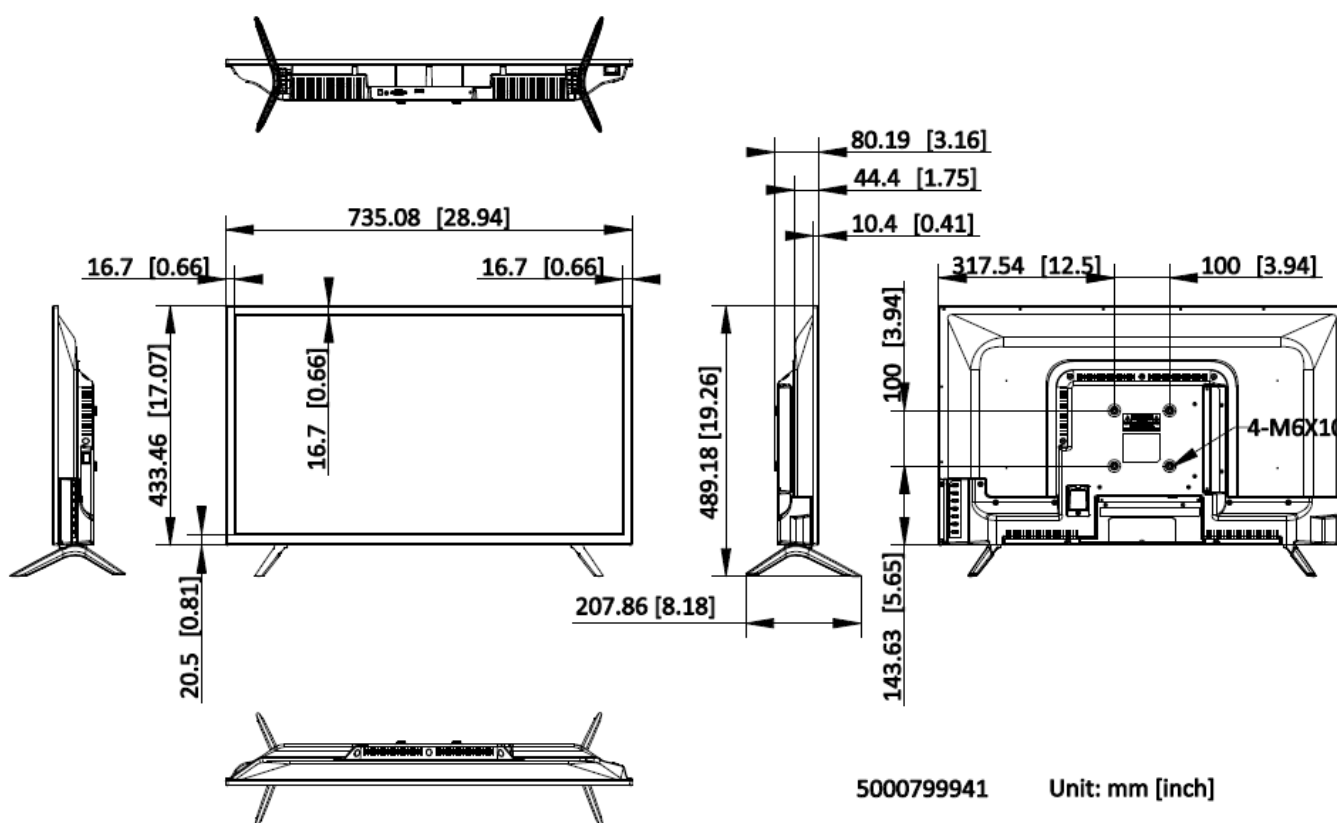
Interface	Description	Interface	Description
POWER	AC power input interfac	HDMI	HDMI 1.4 digital signal input interface
VGA	VGA analog signal input	AUDIO OUT	3.5 mm Audio output interface



## Available Model

DS-D5032F3-1POS

## Dimension



### Headquarters

No.555 Qianmo Road, Binjiang District,  
Hangzhou 310051, China  
T +86-571-8807-5998  
www.hikvision.com



Follow us on social media to get the latest product and solution information.



Hikvision



HikvisionHQ



HikvisionHQ



Hikvision\_Global



Hikvision  
Corporate Channel



hikvisionhq