

DS-KD-MFB
Fingerprint & Card Reader Sub Module



- Fingerprint & card reader module of modular door station
- Integrate with M1/Desfire card reader
- IP65 protection level
- Easy to use and extend
- Compatible with IP, 2-wire IP and 2-wire HD modular door station

▪ Specification

Capacity	
Fingerprint capacity	1000
Card capacity	6000
Authentication	
Card reading frequency	13.56 MHz
Card reading distance	2 cm
Card type	M1, Desfire card
Device interfaces	
DIP switch	8 bits
RS-485	1
General	
Installation	Flush mounting, surface mounting
Protective level	IP65
Working temperature	-30 °C to 60 °C
Working humidity	10% to 90% (no-condensing)
Dimension (W × H × D)	100 mm × 100 mm × 35 mm (3.94" × 3.94" × 1.38")
Power supply	12 VDC, supplied by the main module
Power consumption	≤ 4 W
Language	English, Arabic, French, Russian, Spanish, Italian, German, Polish, Turkish, Portuguese, Portuguese (Brazil), Uzbek, Kazakh, Czech, Hungarian, Dutch, Romanian, Bulgarian, Ukrainian, Croatian, Serbian, Greek, Lithuanian, Estonian, Latvian, Norwegian, Danish, Slovenian, Slovak, Hebrew, Swedish, Finnish, Mongolian, Vietnamese, Traditional Chinese

▪ Available Model

DS-KD-MFB

Headquarters

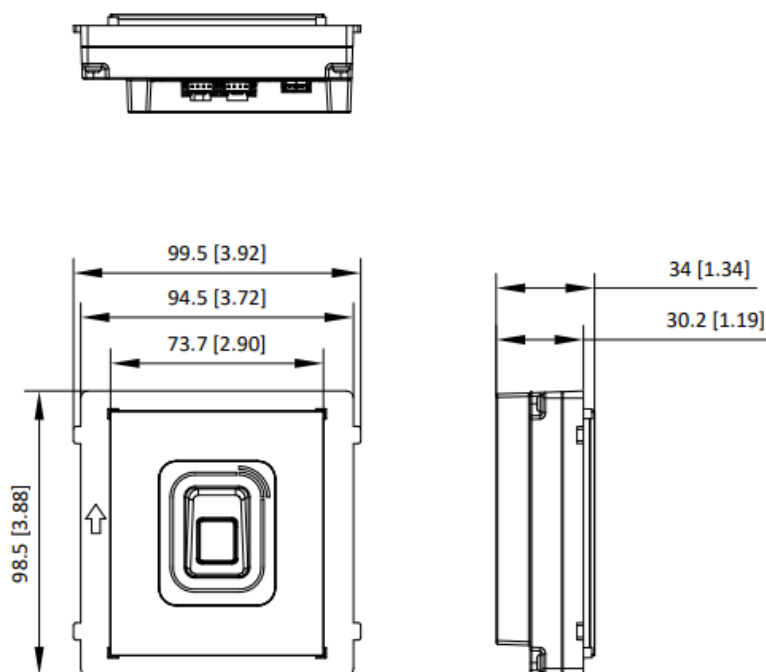
No.555 Qianmo Road, Binjiang District,
Hangzhou 310051, China
T +86-571-8807-5998
www.hikvision.com



Follow us on social media to get the latest product and solution information.



▪ Dimension



Unit: mm [inch]

SCALE	1:1
-------	-----

Headquarters

No.555 Qianmo Road, Binjiang District,
Hangzhou 310051, China
T +86-571-8807-5998
www.hikvision.com

Follow us on social media to get the latest product and solution information.

